

DO NOT COMPROMISE THE POWER



TIPPER GROUP

ALUMINIUM TYPE 4FE TIPPER

 **CHIEFTRAILER**

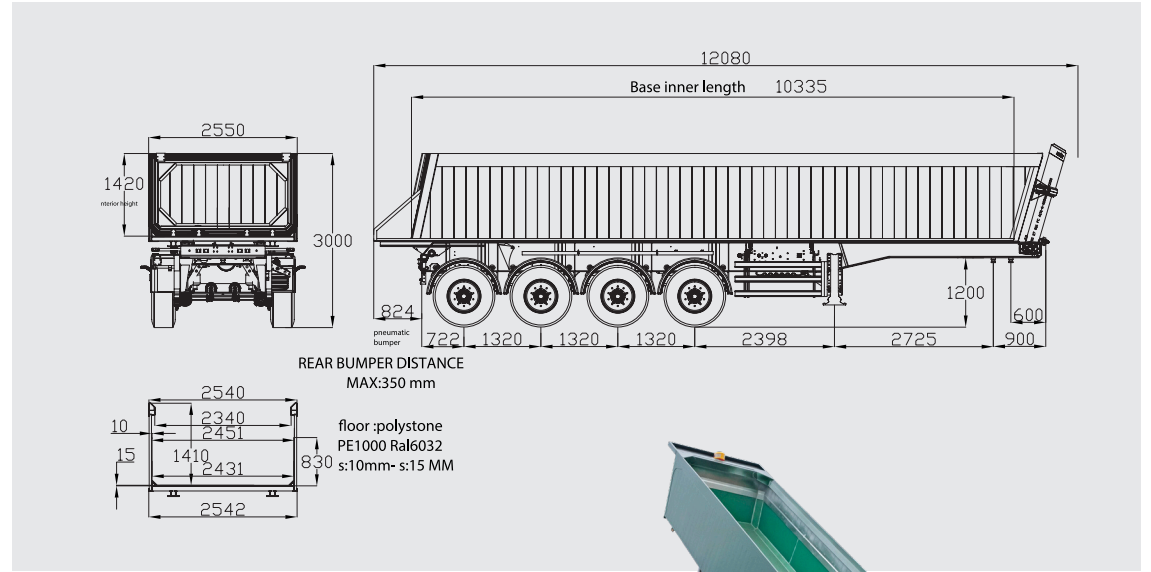
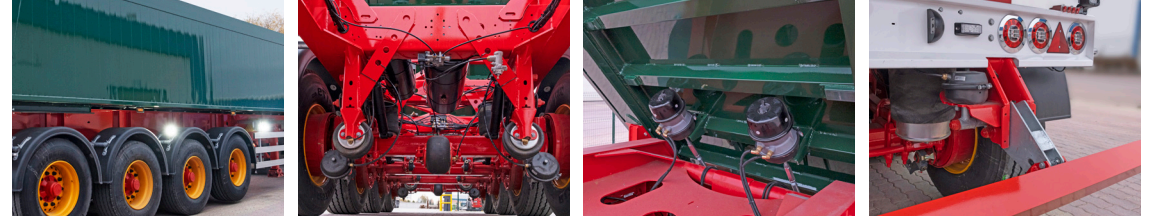
TECHNICAL SPECIFICATION

ALUMINIUM TYPE 4FE TIPPER



**TIPPER
GROUP**

| | |
|-------------------------------|--|
| VOLUME (M3) | 60m3 |
| WEIGHT (KG) +/-%1 | 9330 |
| MATERIAL | Aluminum |
| CHASSIS | High strength profile steel REİS brand chassis fabricated with automatic welding techniques and that complies with 98/91 EEC standarts. |
| FLOORING | 6 mm aluminum |
| SIDE WALLS | 40 mm alüminyum extrusion profile |
| REAR AND FRONT WALLS | Front wall 5 mm aluminum back cover 40 mm aluminum extrusion profile |
| BASE PEHD | UHPE 1000 thickness 15 mm (PROTECTIVE PVC MATERIAL) |
| SIDE PEHD | UHPE 1000 Thickness 10 mm (PROTECTIVE PVC MATERIAL) |
| REAR BUMPER | In accordance with 70/221/ EC Standards and tested (resistant to abrasion and rust) mobilerear bumper (compatible with the asphalt pouring machine Finisher) |
| LOAD CAPACITY (TON) | 54 TONS |
| KING PIN (INC) | 2" Flange type Imported (Pure, Jost or equivalent) King Pin (Double Position) in 94/20 EEC norms |
| MAX. TIP ANGLE(DEGREE) | 48 |
| 5. WHEEL (MM) | 1200 |
| LANDING GEAR | 2 speed 24000 kg carrying capacity |
| AXLE QUANTITY | 4 |
| AXLE TYPE | REİS 9 TON |
| BRAKE TYPE | DRUM |
| AXLE LIFTING | 1st and 4th Axle Load Dependent Automatic |
| AXLE ROTATING FEATURE(NUMBER) | 1st and 4th axles |
| TOOLBOX | Plastic 80 cm |
| ELECTRICAL SYSTEM | Erm Marx |
| BRAKE SYSTEM | KNORR 4S/3M |
| CANVAS | Avaliable |
| TYRE | 385\65Rx22.5 |
| RIM | Steel 11.75x22.5 |
| LIFT | Hydromas,Hyva or Penta |



SERİN OTOMOTİV A.Ş.

Büyükkayacık Mah. Konya OSB Evrenköy Cad. 3 Nolu Sokak No:12 42100 Selçuklu / Konya
T| +90.332 239 06 10 | F| +90.332 239 06 13 | satis@reistreyler.com.tr



/reistreyler **CHIEFTRAILER.COM**

Serın Automotive Inc. reserves the right to make changes in technical specifications and equipment without prior notice. Some equipment and features seen in the photograph and technical drawing may not be in the standard equipment of the vehicle. From the printing of this document (Jan 2021) There may have been changes on it afterwards. No rights can be claimed from the signs or numbers used by the seller or the manufacturer to identify the order or the goods ordered. Color differences are due to the printing technique.

